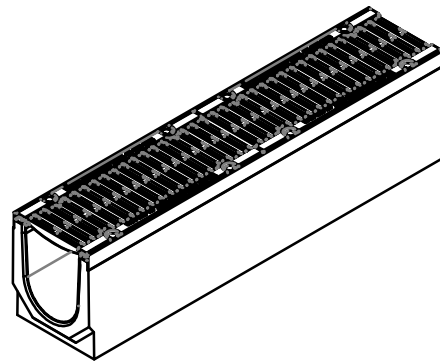
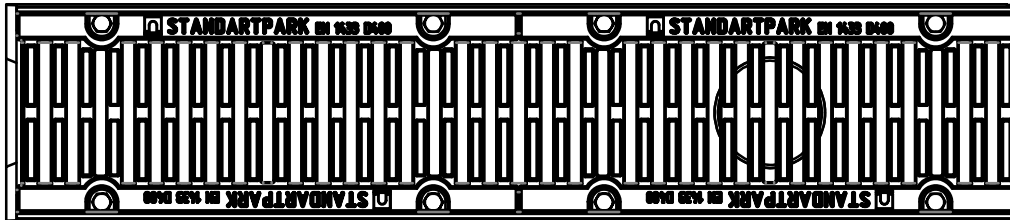
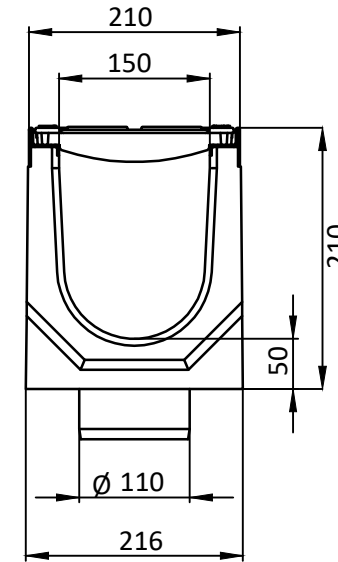
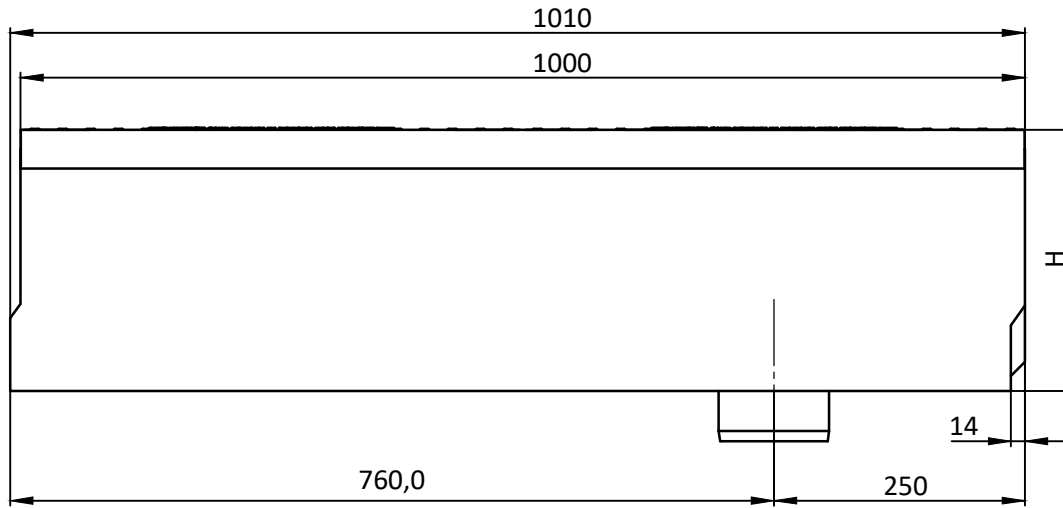


04207133409/210



				<b>Concrete Channel Drive with grating slotted</b>			
Rev	Sheet	Doc. No.	Sign.	Data	Let.	Weight	Scale
				10.05.17		70	1:5
Dvlpd by Kozhukh O.					<b>04207133409/210</b> <b>Load Class D</b>		
Chkd by Neagoe R.							
					Sheet	Sheets 1	
Contact tehnic@standartpark.ro					Concrete, Steel, Ductile Cast Iron		