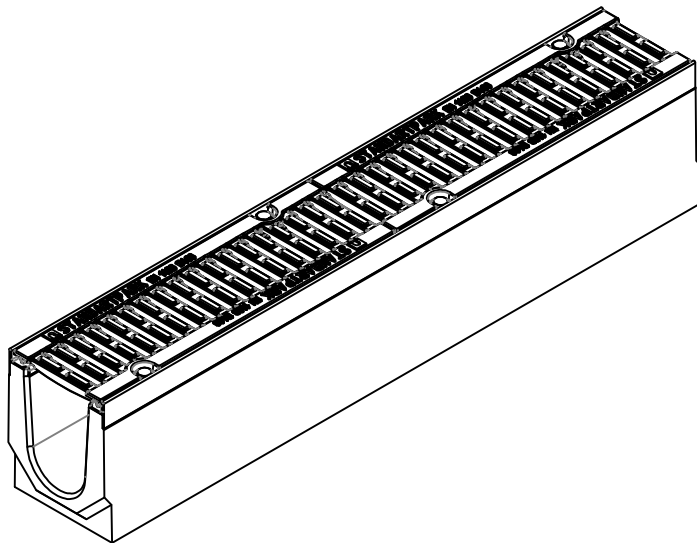
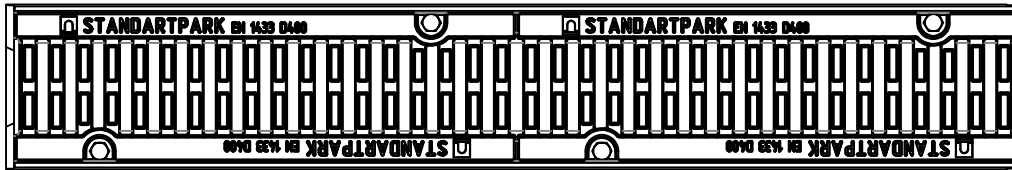
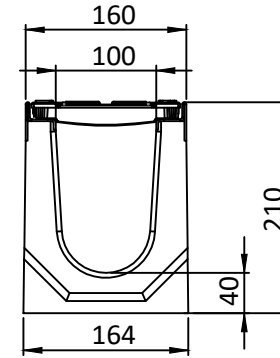
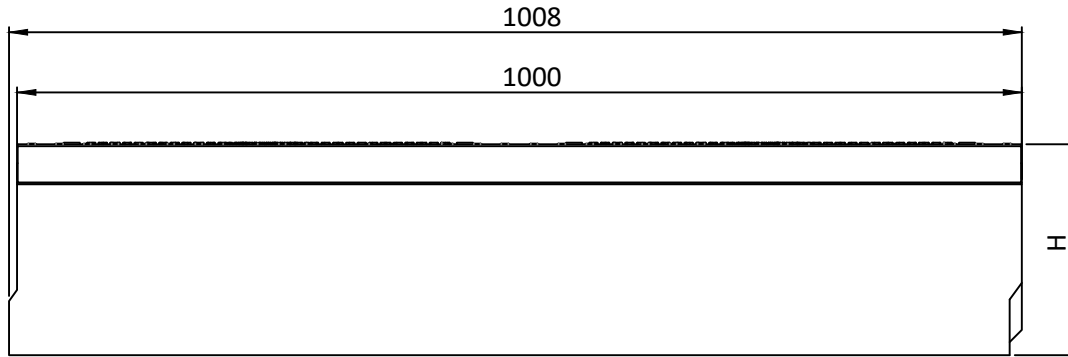


040071334/210



				Concrete channel Drive with grating slotted			
Rev/Sheet	Doc. No.	Sign.	Data		Let.	Weight	Scale
			25.07.18	040071334/210		50.88	1:5
Dvlpd by	Kozhukh O.			Load Class D		Sheet	Sheets 1
Chkd by	Neagoe R.			Concrete, Steel, Ductile Cast Iron			
Contact							