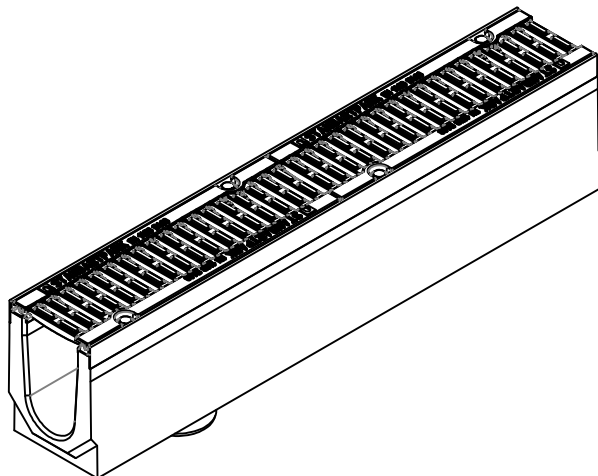
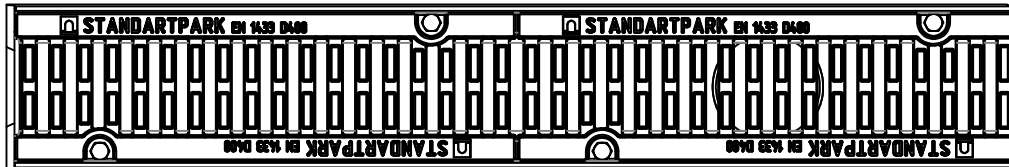
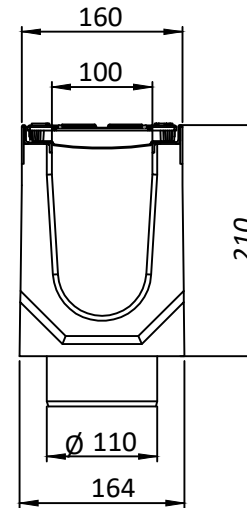
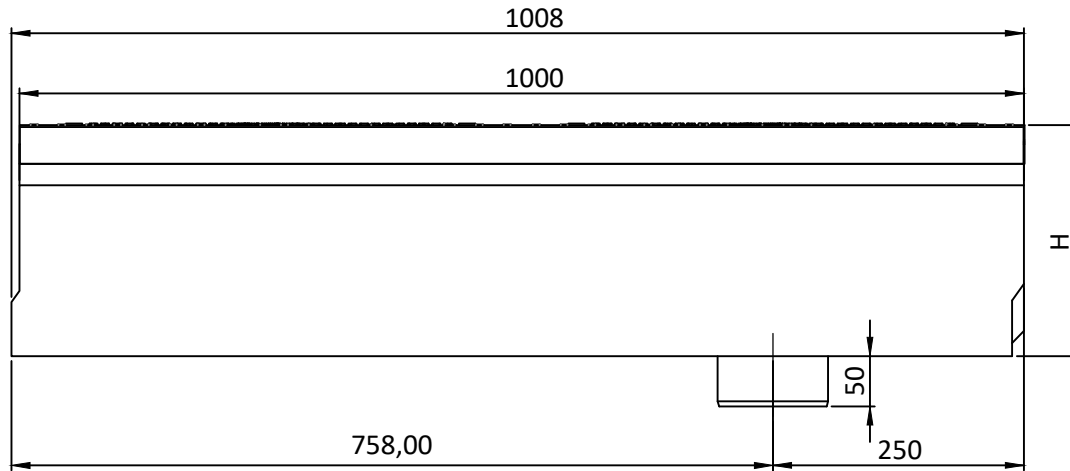


04007133409/210



				Concrete channel Drive with grating slotted		
Rev/Sheet	Doc. No.	Sign.	Date	Let.	Weight	Scale
			25.07.18		49.55	1:5
Dvlpd by	Kozhukh O.			04007133409/210		
Chkd by	Neagoe R.					
				Load Class D		
				Concrete, Steel, Ductile Cast Iron		
Contact				Sheet	Sheets 1	