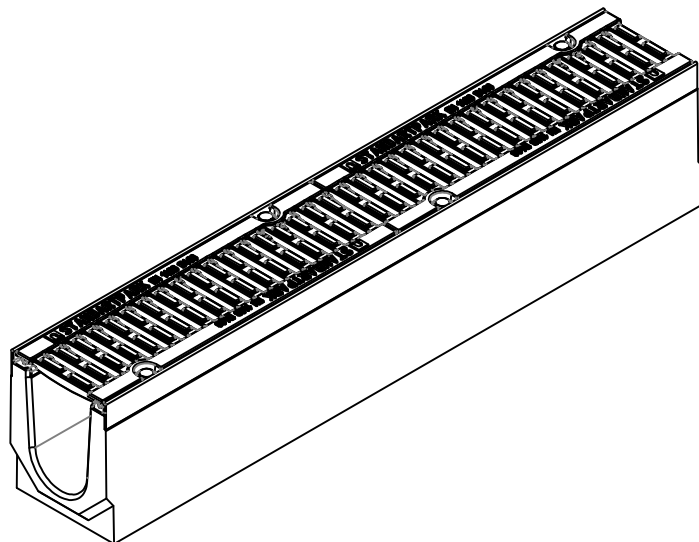
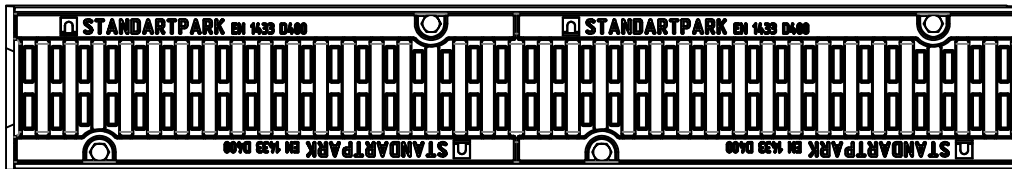
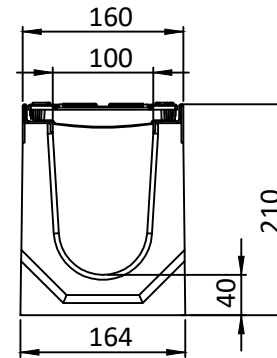
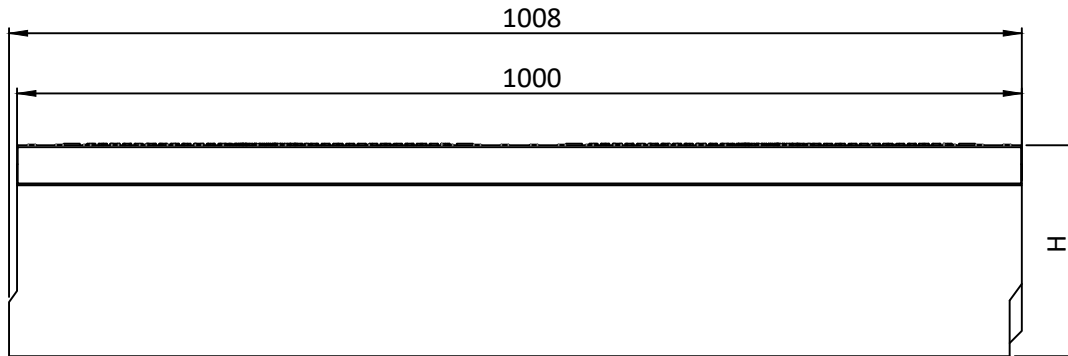


040071334/210



				Concrete channel Drive with grating slotted				
Rev	Sheet	Doc. No.	Sign.	Data	Let.	Weight	Scale	
				25.07.18		50.88	1:5	
Dvlpd by Kozhukh O.					040071334/210 Load Class D		Sheet	Sheets 1
Chkd by Neagoe R.								
Contact					Concrete, Steel, Ductile Cast Iron			